

1200 PWC Lift

Features:

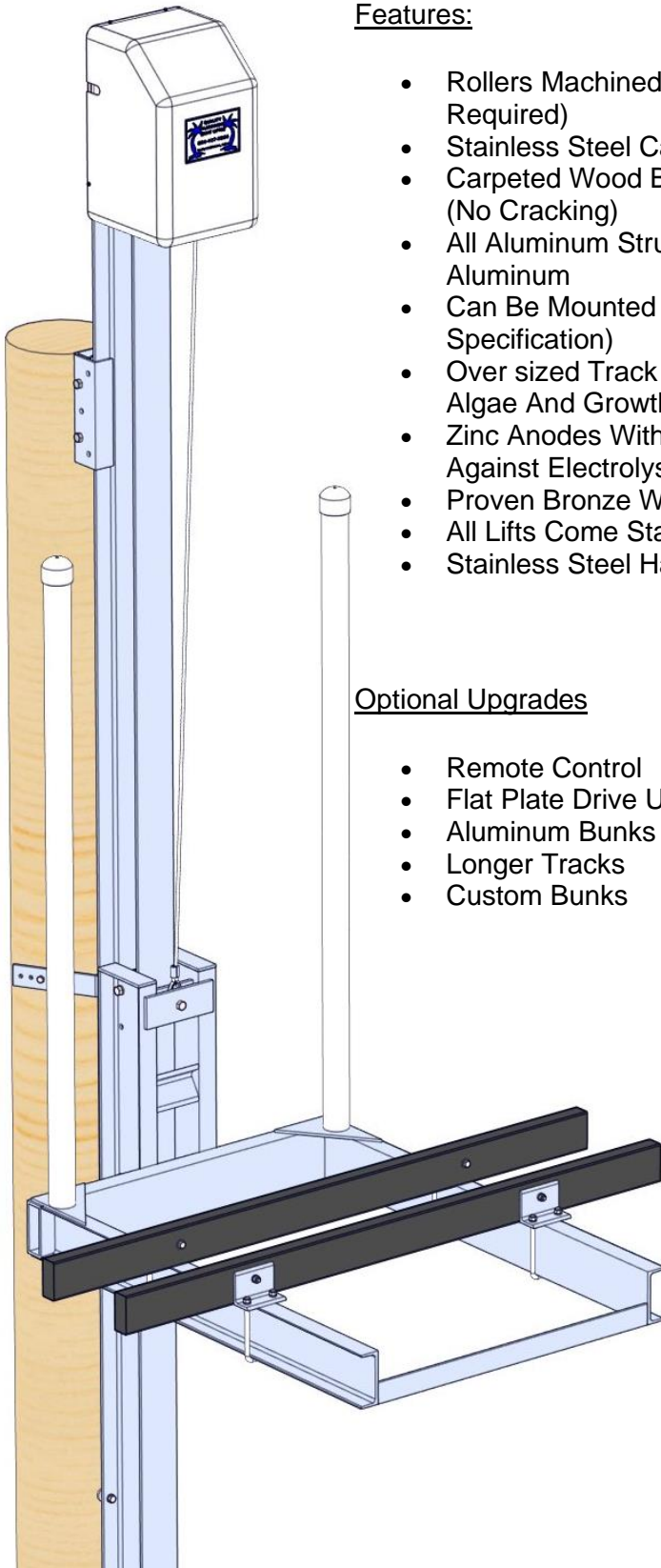
- Rollers Machined From Solid Nylon MD (No Grease Required)
- Stainless Steel Cables
- Carpeted Wood Bunks That Conform To The Boats Hull (No Cracking)
- All Aluminum Structure Using 6061-T6 Marine-Grade Aluminum
- Can Be Mounted To Seawall, Dock or Piling (Customer Specification)
- Over sized Track To Eliminate Problems From Water Algae And Growth
- Zinc Anodes With Stainless Hardware To Protect Against Electrolysis
- Proven Bronze Worm Gear in Drive Box
- All Lifts Come Standard With GFCI
- Stainless Steel Hardware throughout Lift

Optional Upgrades

- Remote Control
- Flat Plate Drive Unit
- Aluminum Bunks
- Longer Tracks
- Custom Bunks

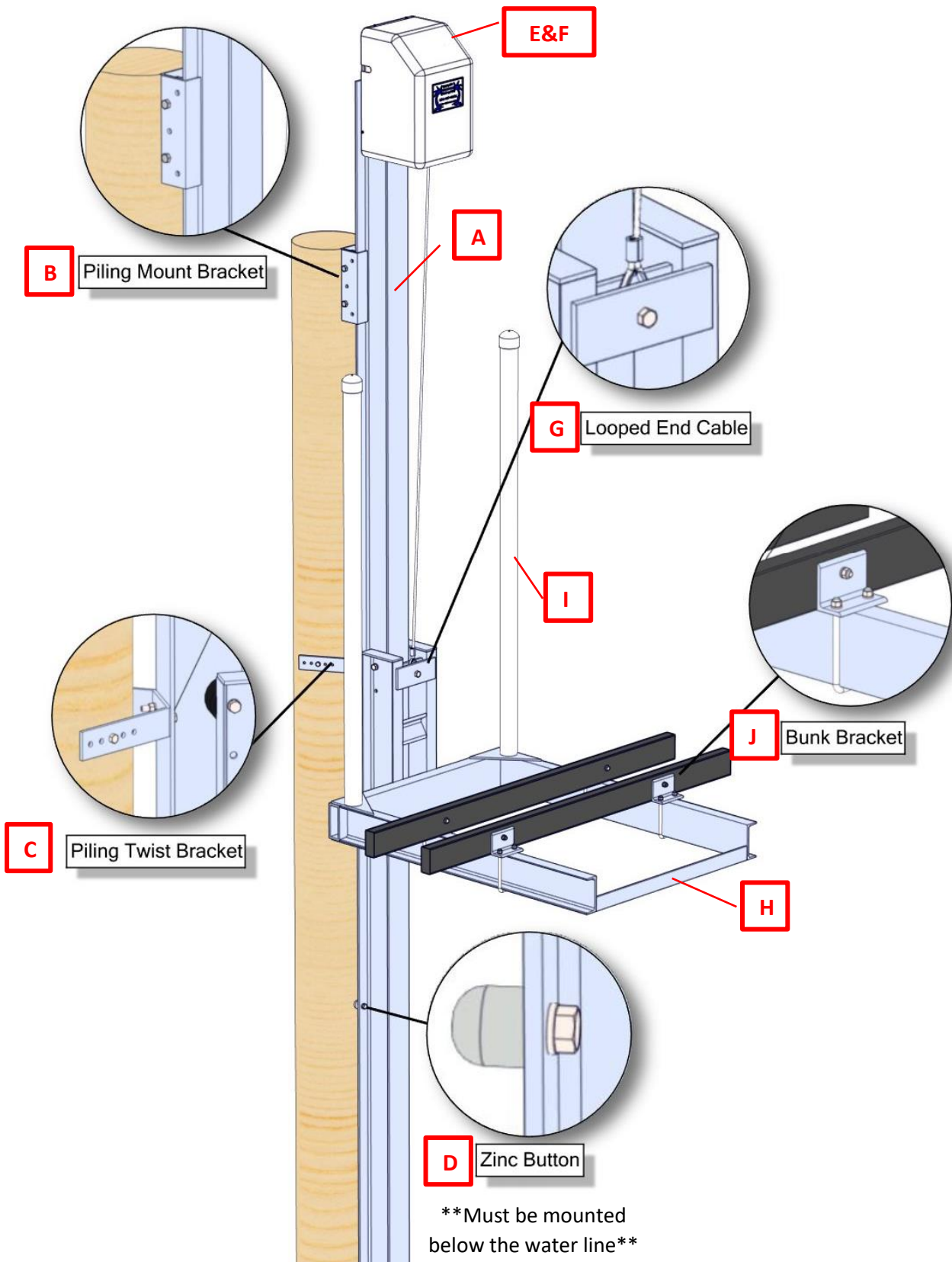
Warranty

- Five-Year On Structure
- Five-Year Gear Box
- Two-Year On Electrical
- One-Year Comprehensive



1200 PWC Lift

Key Components



1200 PWC Lift

Components List							
Piling/Track	A	Track - I-Beam - 6"x4"	1	Top Unit	E	Drive Unit	
	B	Piling Mount Bracket			Name	Qty.	
		Name	Qty.		PWC Drive Unit Mount Plate	1	
		Hex Bolt - 1/2"x6"	4		PWC Drive Unit Mount Plate Screws	4	
		Hex Nut - 1/2"	4		PWC Drive Unit Front Cover	1	
		Lock Washer - 1/2"	4		Drive Unit - 1500 PWC	1	
		Channel - 4"x2"x10"	1		Motor - 3/4HP	1	
		Angle - 2"x3"x10"	2		Motor Pulley - 2"	1	
	C	Piling Twist Bracket			Drive Pulley - 8"	1	
		Name	Qty.		Belt - 4L280 or Ax26	1	
		Piling Twist Bracket	1		Carriage Bolt	4	
		Hex Bolt - 3/8"x1"	2		Flat Washer - 5/16"	4	
		Hex Nut - 3/8"	2		Hex Nut - 5/16"	4	
		Lag Screws - 3/8"x1-3/4"	2		Lock Washer - 5/16"	4	
		Lock Washer - 3/8"	2		F	Drive Unit Mount	
	D	Zinc Anode			Name	Qty.	
		Name	Qty.		Hex Bolt - 1/2"x1-1/2"	2	
		Hex Bolt - 1/2"x1"	1		Hex Nut - 1/2"	2	
		Lock Washer - 1/2"	1		Flat Washer - 1/2"	2	
		Mushroom Zinc Anode	1		Lock Washer - 1/2"	2	

(continued on next page)

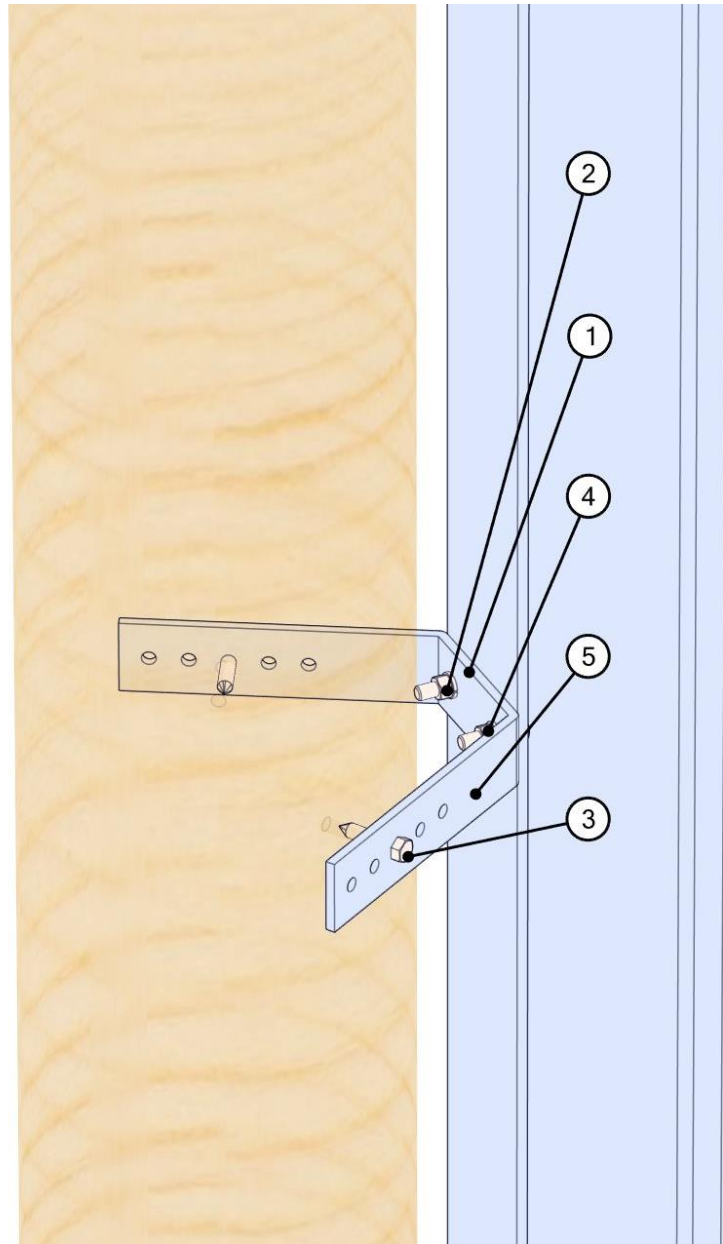
1200 PWC Lift

Cable	G	Cable		Cradle	I	Guide Posts	
		Name	Qty.		Name	Qty.	
		SS Cable - 1/4"x20' Pre-Swaged	1		PVC (5ft) with Caps	2	
	Cable Clamp - 3/16"	1	J		Bunks - Wooden		
Cradle	H	Cradle			Name	Qty.	
		Name	Qty.		Bunk Bracket - 2"x3" Angle	4	
	Pre-Assembled Cradle that includes the installed rollers and cable bolt	1	Flat Washer - 3/8"		4		
			Hex Bolt - 3/8"x2-1/2"		4		
			Hex Nut - 3/8"		12		
			Lock Washer - 3/8"		12		
			3/8" U-Bolt - 2"x6"	4			
			Wooden Bunks (Carpeted, 2"x4"x5')	2			

1200 PWC Lift

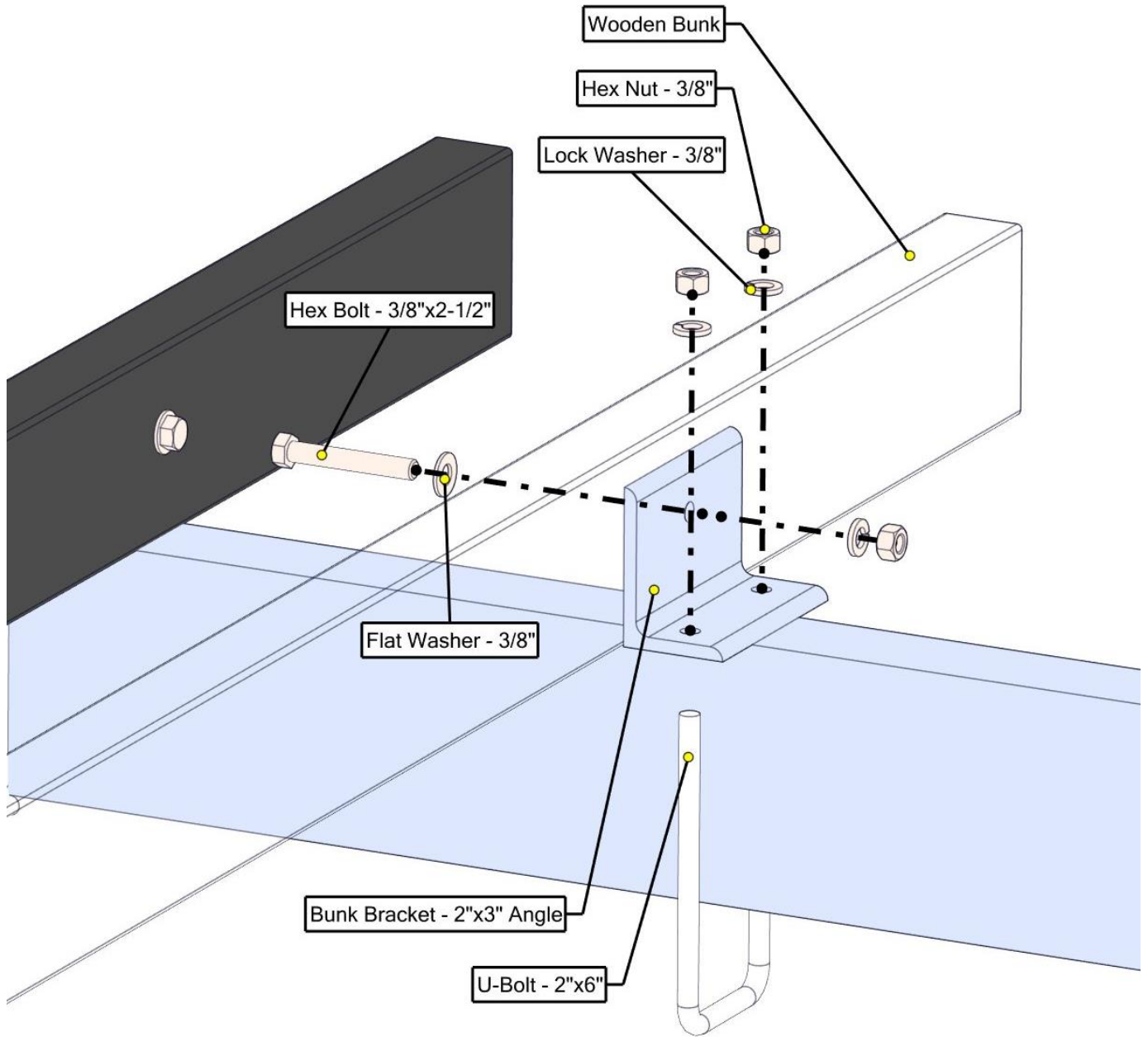
Piling Twist Bracket

BOM ID	Description	Qty
1	Hex Bolt - 3/8"x1-1/2"	2
2	Hex Nut - 3/8"	2
3	Lag Screw - 3/8"	2
4	Lock Washer - 3/8"	2
5	Piling Twist Bracket	1



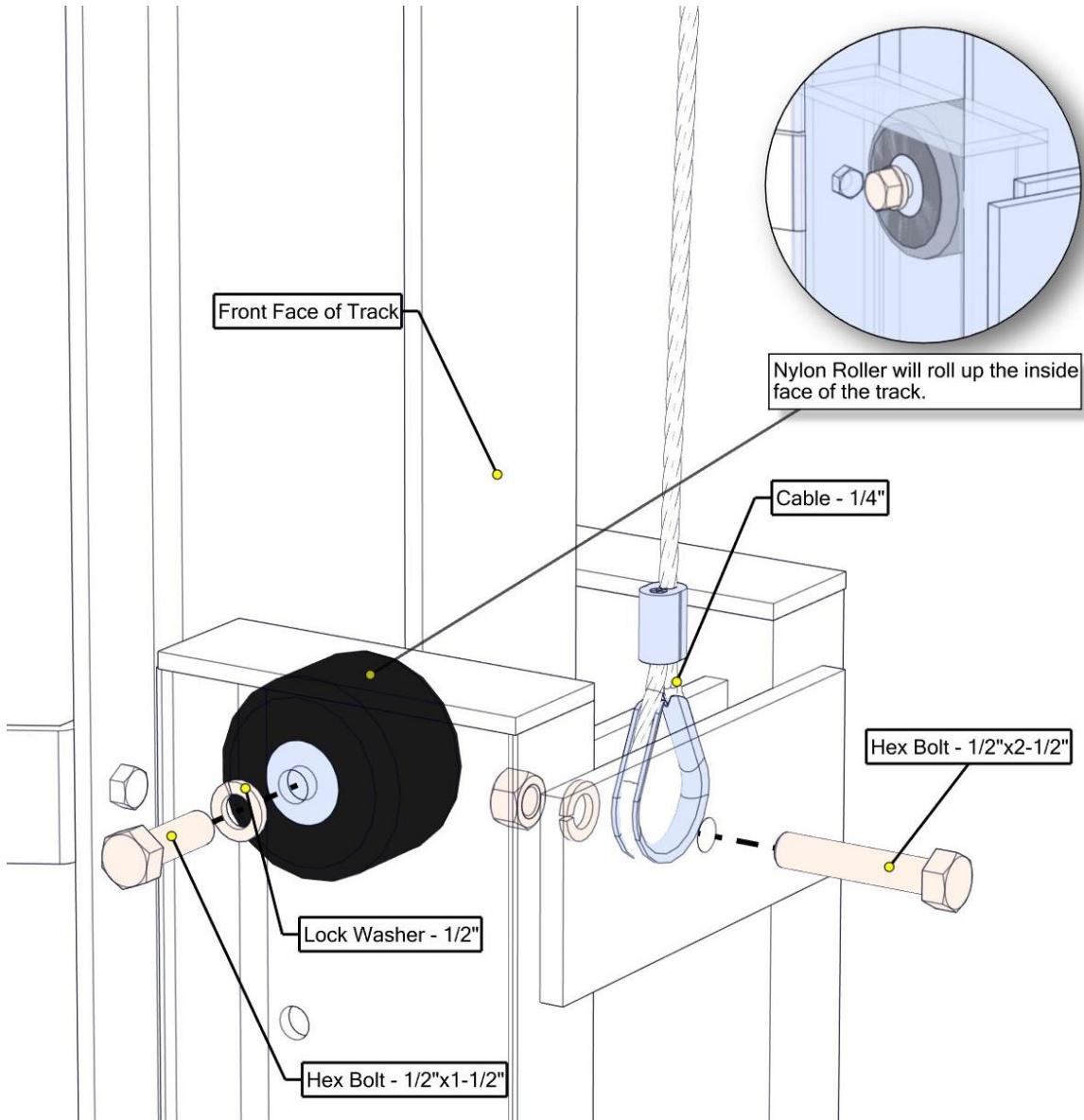
1200 PWC Lift

Bunk Bracket Installation



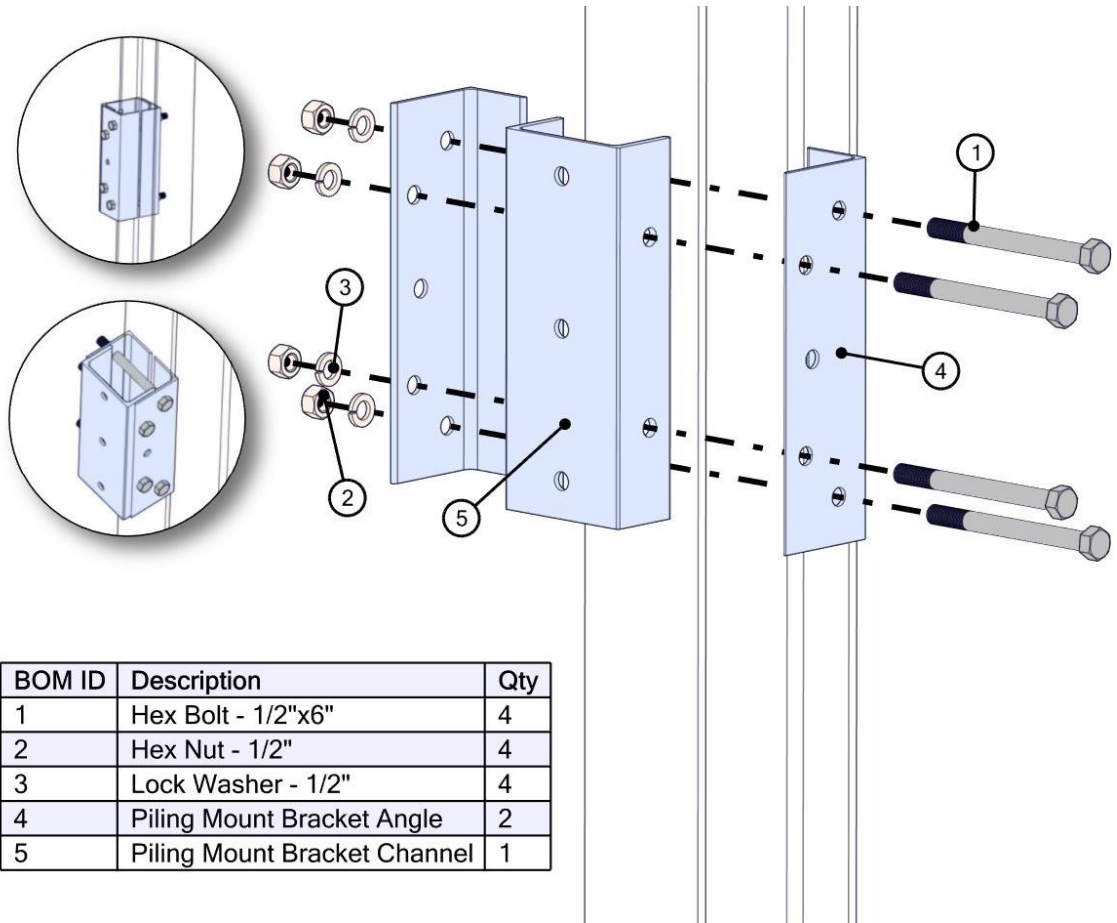
1200 PWC Lift

Roller and Cable End



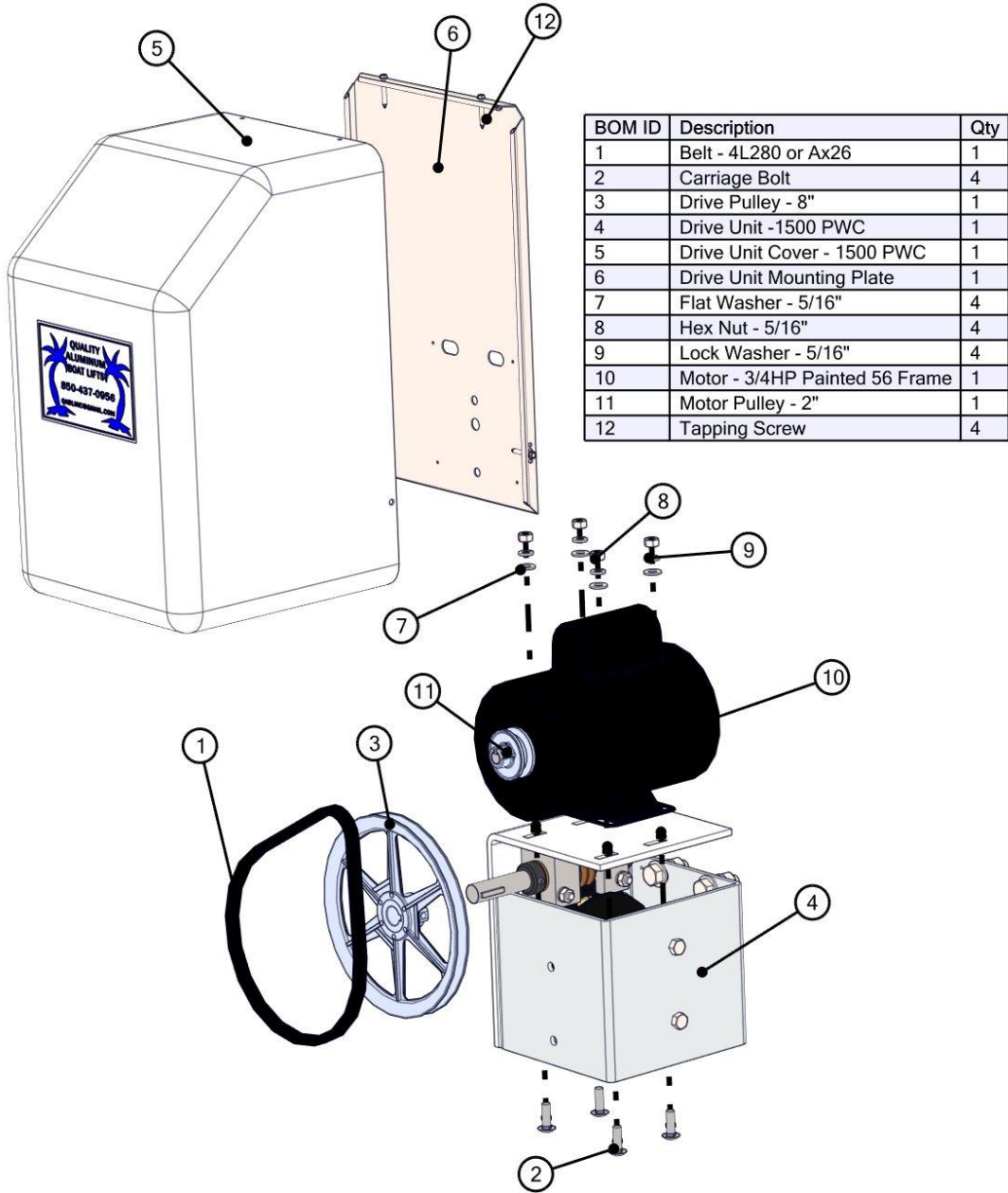
1200 PWC Lift

Piling Mount Bracket



1200 PWC Lift

1500 PWC Drive Unit



1200 PWC Lift

1500 PWC Drive Unit Installation

