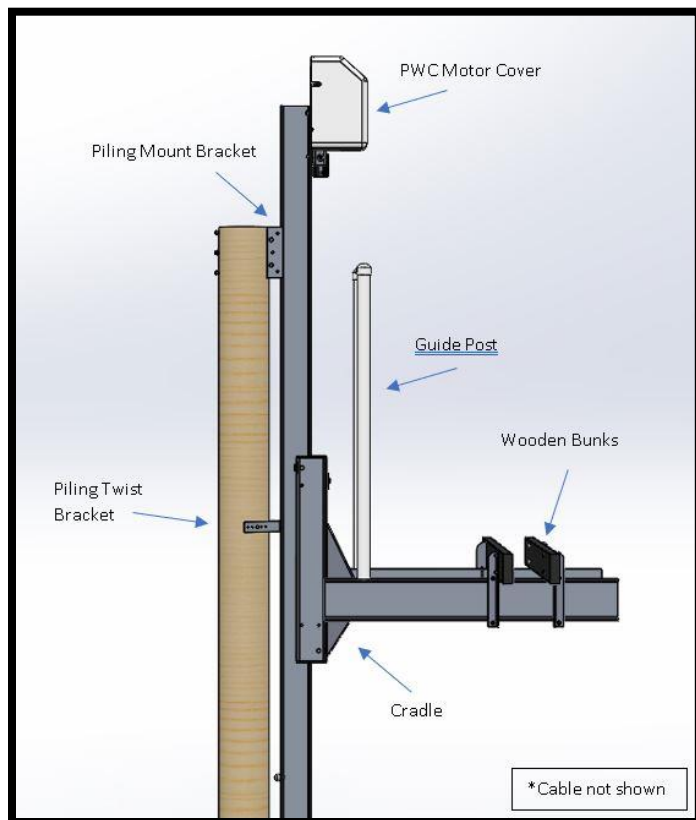


QUALITY ALUMINUM BOAT LIFTS, INC.

# QUALITY ALUMINUM BOAT LIFTS, INC. INSTALLATION INSTRUCTIONS

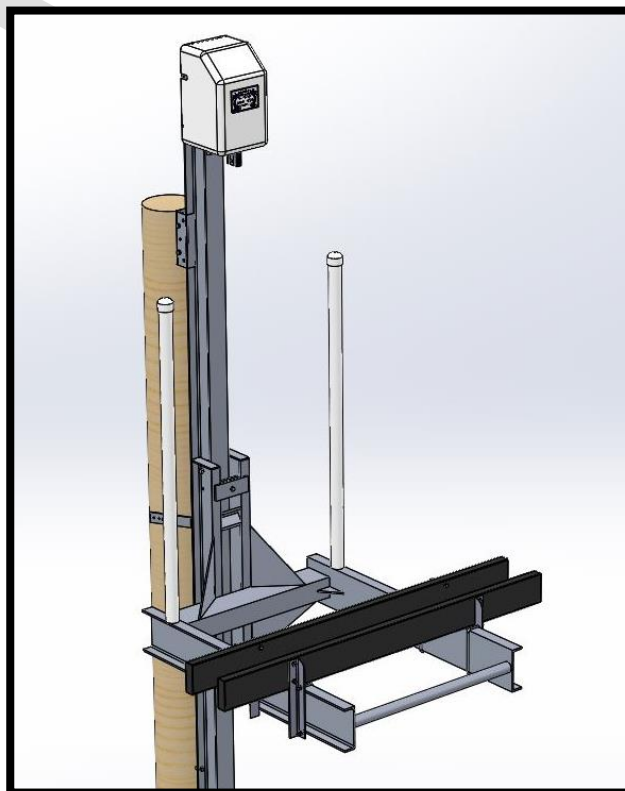
1500 lb Jet Ski-Skiff Lift

## OVERVIEW



### HELPFUL NOTES:

1. In order to switch the motor direction change T-8 & T-9 in the switch.
2. Your gem remote wiring diagrams are located inside the remote.
3. Place a rubber mat between piling mount and piling to prevent electrolysis.
4. Installer is responsible for determining that pilings are square and adequate to carry the lifts payload.
5. **Warning:** any modification to lift *without permission from the manufacturer* voids the warranty.
6. **Caution:** Boatlifts are not made for lifting humans.
7. Before lifting the Jet-Ski, the Ski center of gravity must be centered on the lift.



## Quality Aluminum Boat Lifts, INC.

### Installation Instructions: Jet Ski- Skiff Lift

Thank you for your recent Boat Lift purchase, it is important to note that this lift may be mounted to a dock piling, or concrete seawall. For tech support, e-mail: [gablinc@gmail.com](mailto:gablinc@gmail.com)

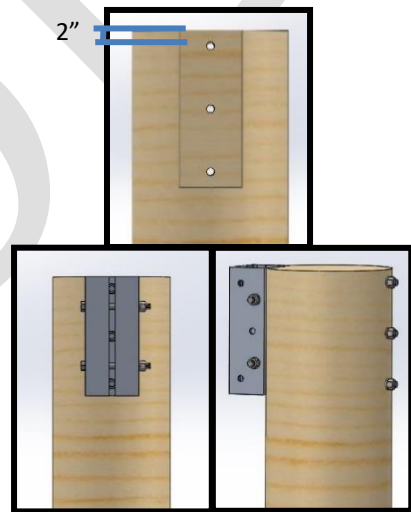
#### STEP 1: DETERMINE LIFT LOCATION

1. Determine how the lift will be mounted - an existing piling or a new piling that will need to be set.

#### STEP 2: ATTACHMENT OF PILING MOUNT BRACKETS

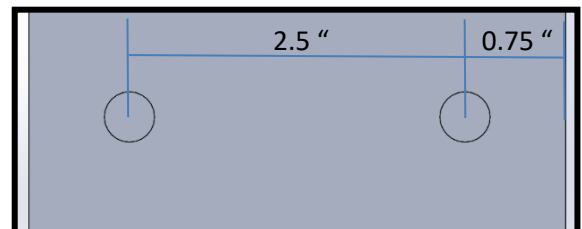
**NOTE: For Seawall or Dock Mount Installation: Attach mounting bracket first, then secure the track to the dock or seawall. Do NOT free hang track without support.**

1. Find the center of the piling on the water side. While holding the mount up to the center of the piling, trace out the top hole of the mount onto the piling (the top hole's center should be at least 2" from the top of the piling to prevent splitting).
2. Drill 3/8" hole where trace was completed above.
3. Attach mount using 3/8" bolt or 3/8" all thread, through the piling.
4. Use a level to confirm that the mount is level.
5. Repeat steps 2 and 3 to attach mount using the center and bottom holes.



#### STEP 3: ATTACHMENT OF PILING TWIST BRACKET TO TRACK

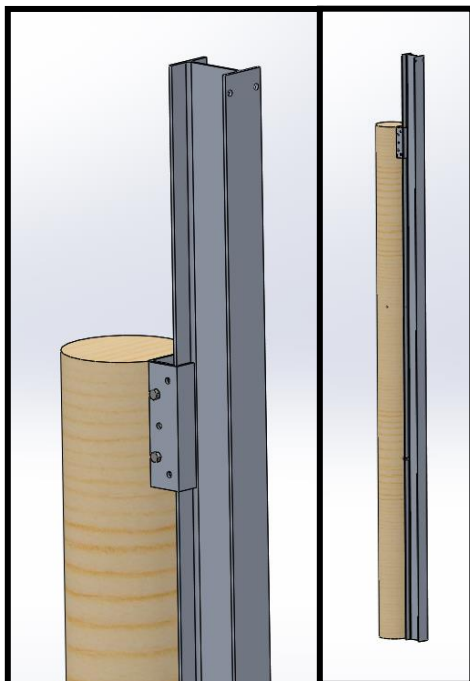
1. Before installing the track, the piling twist bracket should be mounted to the track.
2. Lay the track on the ground with the side that will face the piling laying up.
3. Drill two 3/8" holes into top face of the track as shown to the right. These holes should be drilled between 2' and 3' below the level of the dock (typically just above the water line).
4. Attach the piling twist bracket using the provided hardware.



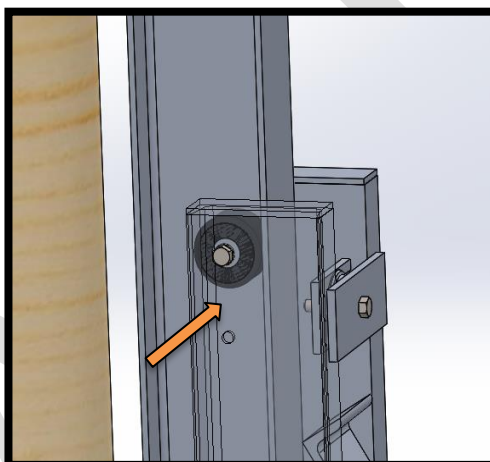
(The surface of the track shown is the surface that will face the piling when mounted)

**STEP 4: INSTALLING THE TRACK****NOTES FOR 1500LB AND 2000LB LIFTS:**

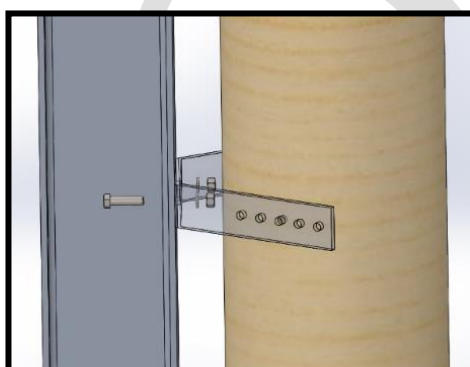
- 1.) The track must be a minimum of 6' in the ground.
- 2.) The track must be 5'5" above the deck



1. Slide the track through the piling mount bracket, into the water, and through the cradle.



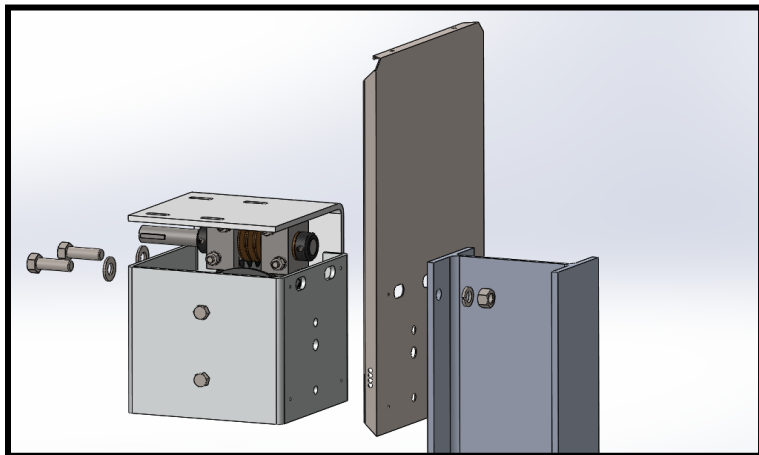
2. Slide the cradle over the top of the track, making sure the wheels ride on the inside of the track as shown.



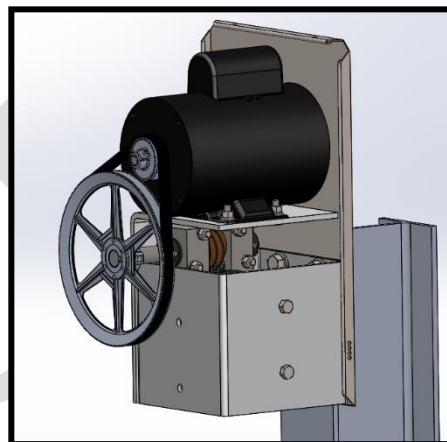
1. Confirm bottom wheel of the cradle runs on the front side of the track
2. Confirm top wheels run in the middle of the track.
3. Sink track through the soil until the top of the track is 4' or 5' above the dock (with 1' minimum in the ground).
4. Confirm that the track is level.
5. Secure the track by installing the piling twist bracket. Bend each side of the bracket to meet the sides of the piling. Use tapping screws to set the bracket in place as seen below.

**STEP 5: MOUNTING THE MOTOR**

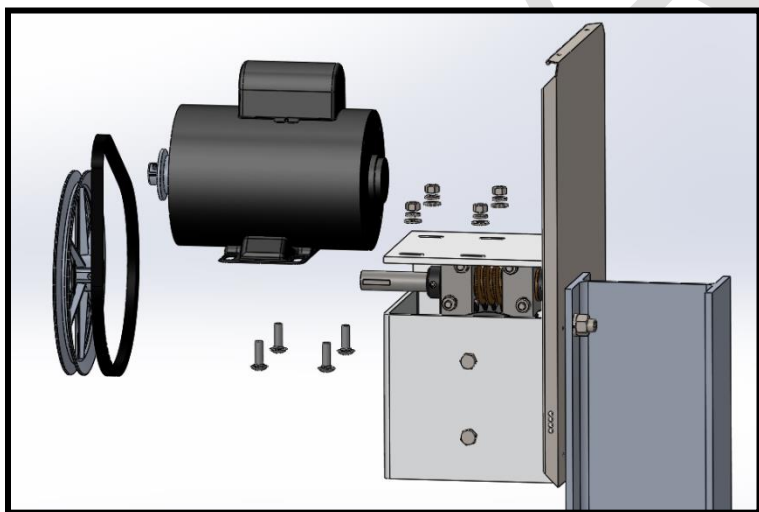
1. Locate the motor box; Follow the instructions to put the motor winch assembly together.
2. Attach the cable to the cable winder inside winch assembly using cable clamp provided with the lift and the blank side of the cable.



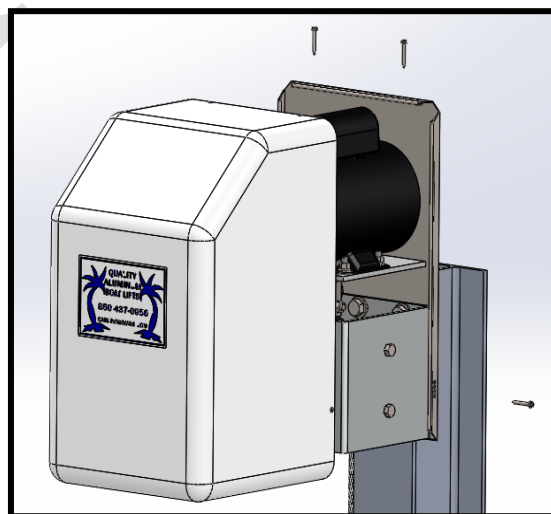
3. Mount the winch assembly to the top of the track using 1 1/2" bolts provided with the lift.



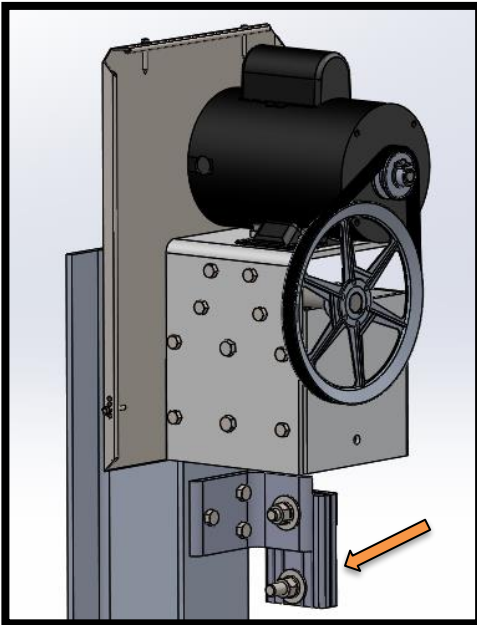
*Final drive unit assembly (cable not shown, but should be hanging from the cable winder inside the drive unit box)*



4. Mount the motor to the top of the winch assembly using the carriage bolts provided. Attach the 8" drive pulley and belt pulley as shown.

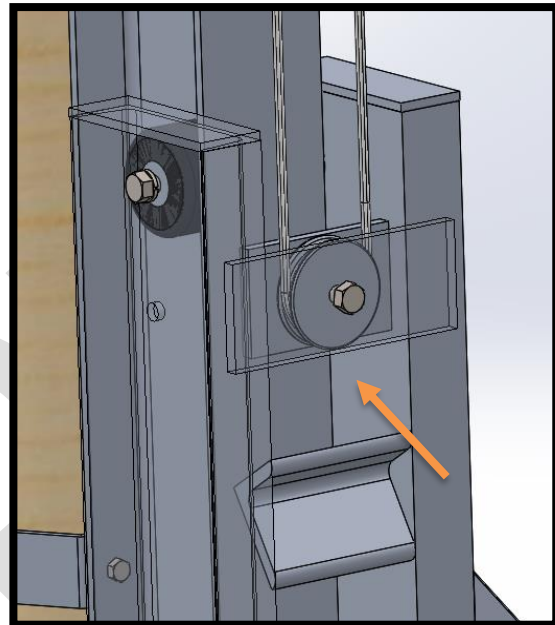


5. Attach the drive unit cover using set screws

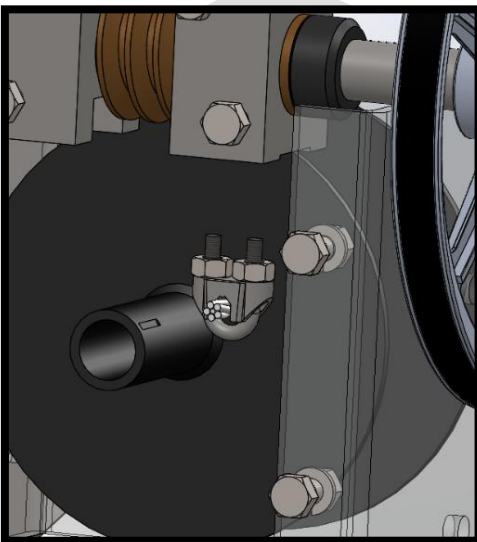
**STEP 7: ATTACH THE CRADLE**

Attach the cable deadman bracket using the 3" long 3"x4" angle and provided hardware.

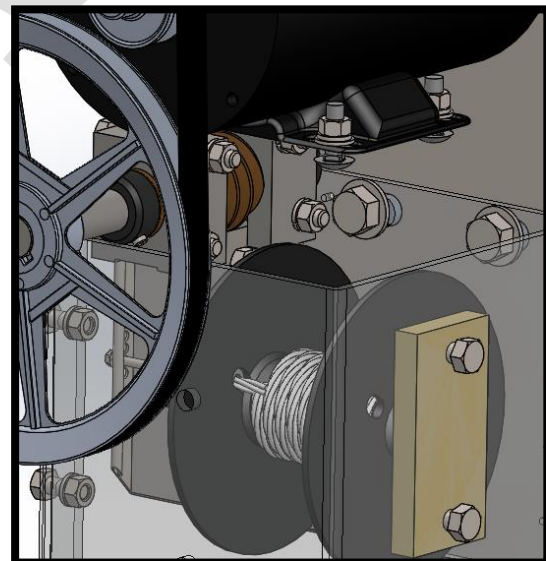
NOTE: The cable (not shown) will be pre-installed in the deadman bracket.



Hang the cable down from the deadman bracket and loop it around the pulley in the cradle.



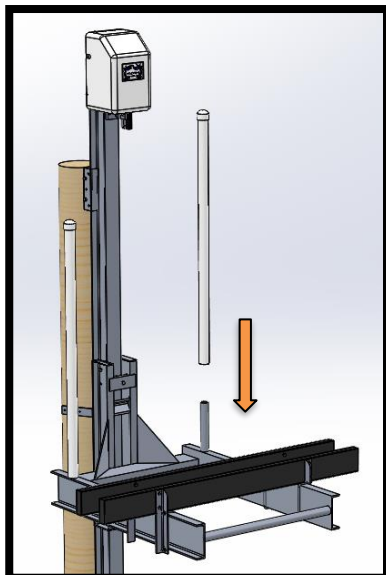
Bring the cable all the way up to the drive unit and put the free end through the hole in the winch drum. Use the provided cable clamp to hold the cable in place.



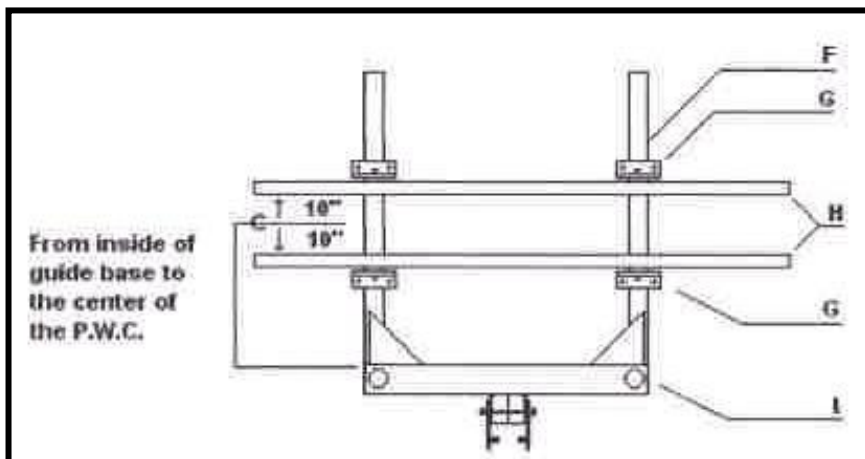
**IMPORTANT: While keeping tension on the cable use the winch to raise the cable. It is very important that the cable wraps evenly.**

Slide the cradle up the track and out of the water to a comfortable position to work with the cradle.

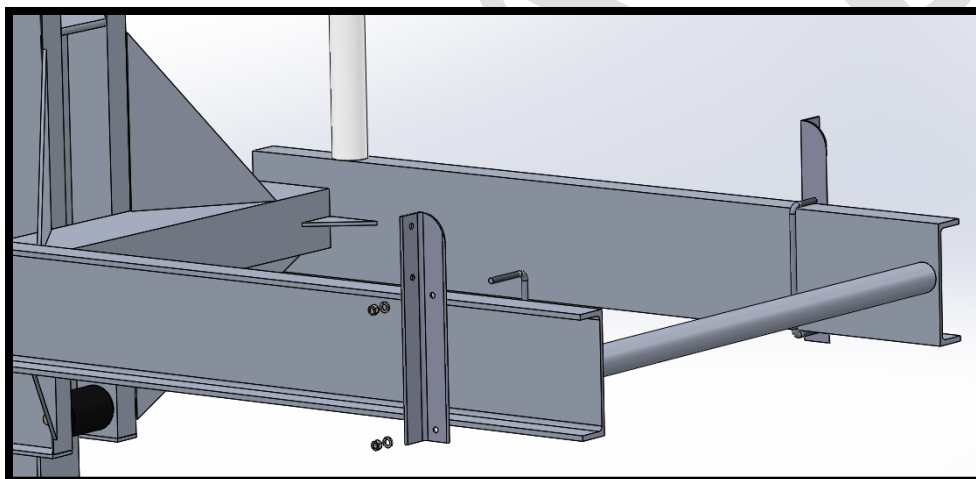


**STEP 8: P.V.C GUIDES**

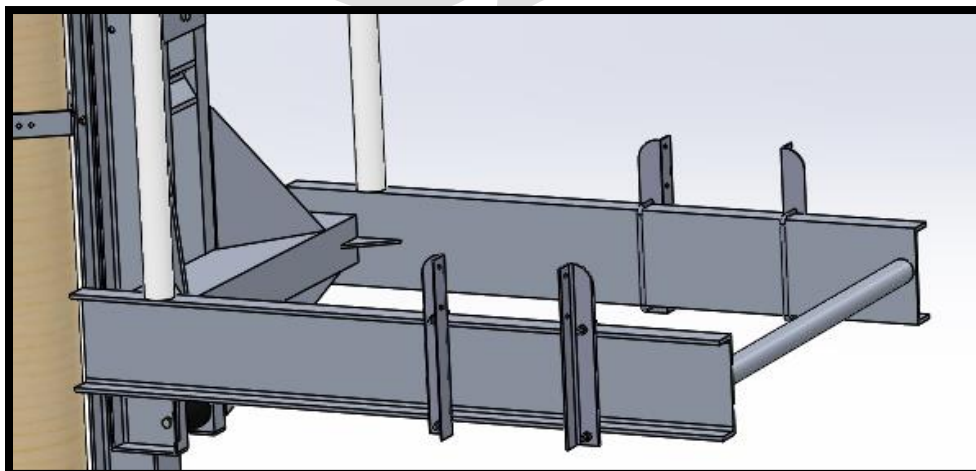
Insert 2" PVC guide over 1 1/2" aluminum guide base.

**STEP 9: ATTACHMENT OF BUNK BRACKETS**

Using the brackets and hardware provided with lift install the two (2) bunk boards according to the bunk setting guide. These are not exact - some adjustment may be necessary.

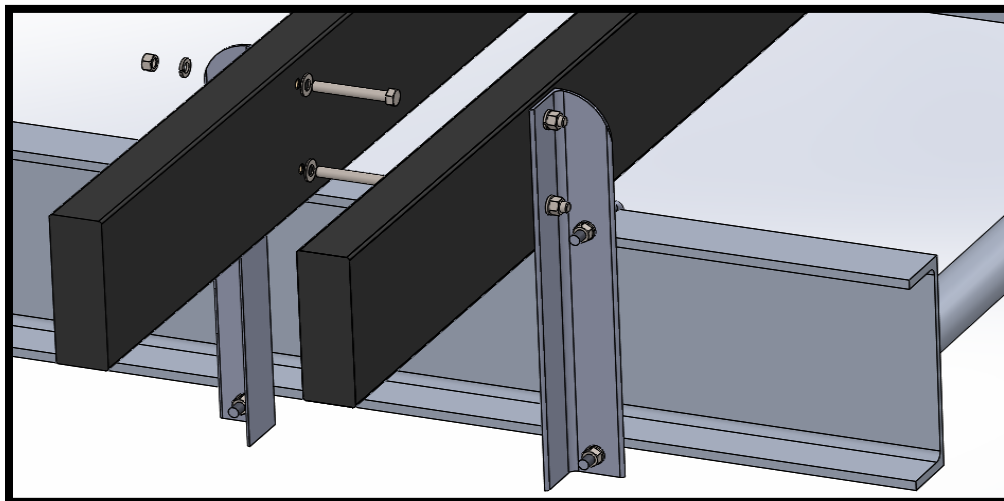


First, install the bunk brackets using the provided u-bolts and hardware.

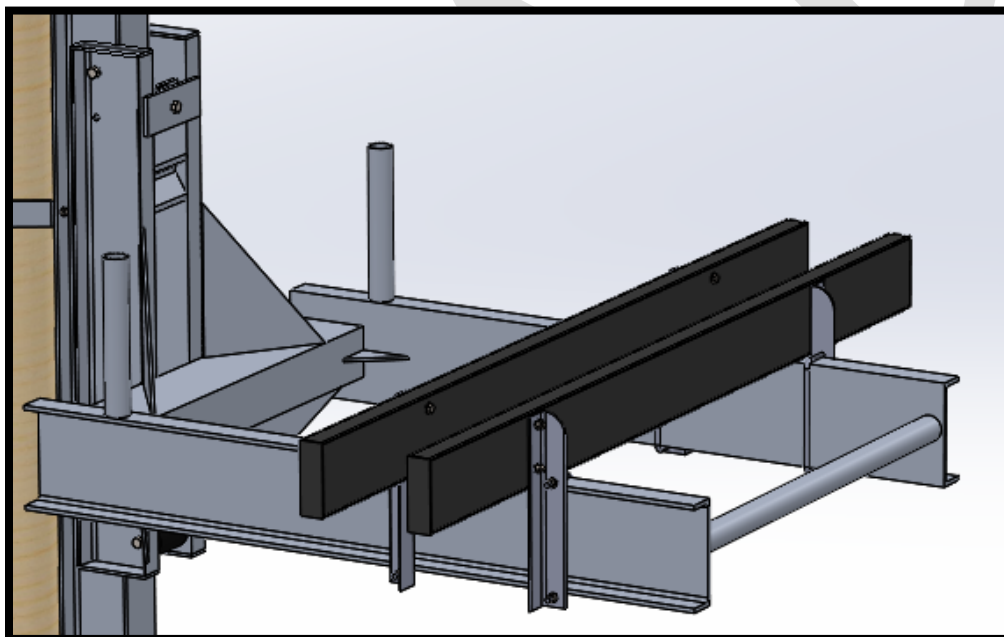


Be sure that the brackets are the same distance apart on both sides of the cradle. The bunks should run perpendicular to the cradle arms.

### STEP 10: ATTACHMENT OF BUNK BOARDS



Attach the bunk boards to the bunk brackets using the provided hardware.



*Finished cradle assembly (PVC guide posts not shown)*



## CONCRETE INSTALLATION

The fastener required to install the lift onto concrete is shown below.



**Size: 1/2"**

**Anchor Length: Minimum 2 3/4"**

**Hole Size: 1 1/4"**

**Bolt Diameter: 1/2"**

**Pull Out: 3000psi**

**Concrete: 3000lb.**

Any questions regarding the installation of your lift? Our technical experts are happy to assist you through our email: [gablinc@gmail.com](mailto:gablinc@gmail.com) Attention: Technical Support. To quicken the process, please include pictures of the part or lift area you have questions about to send to our staff also.

Thank you,

Quality Aluminum Boat Lifts, INC.