

QUALITY ALUMINUM BOAT LIFTS, INC.
INSTRUCTIONS

30K Four (4) Pole Top Mount Lift

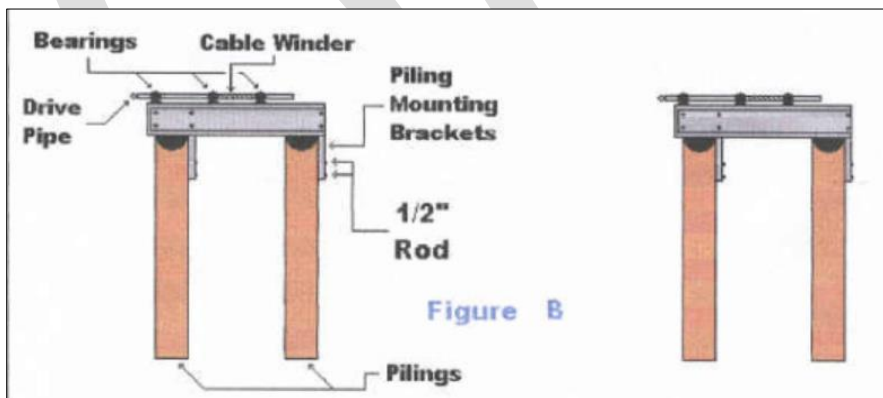
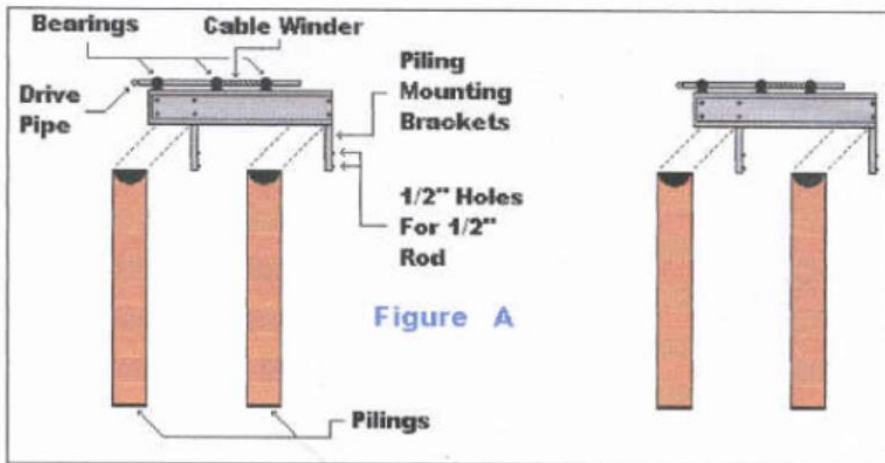
Quality Aluminum Boat Lifts, INC.

Installation Instructions: 30K Four (4) Pole Top Mount Lift

Thank you for your recent Boat Lift purchase, the installation of this lift is easier than others because of its lightweight aluminum design and simple operation. In the pages that follow we will take you step-by-step through the entire installation sequence, including the lifting of the boat. We encourage you to read this manual entirely before attempting the installation. Failure to do so could result in serious injury or death.

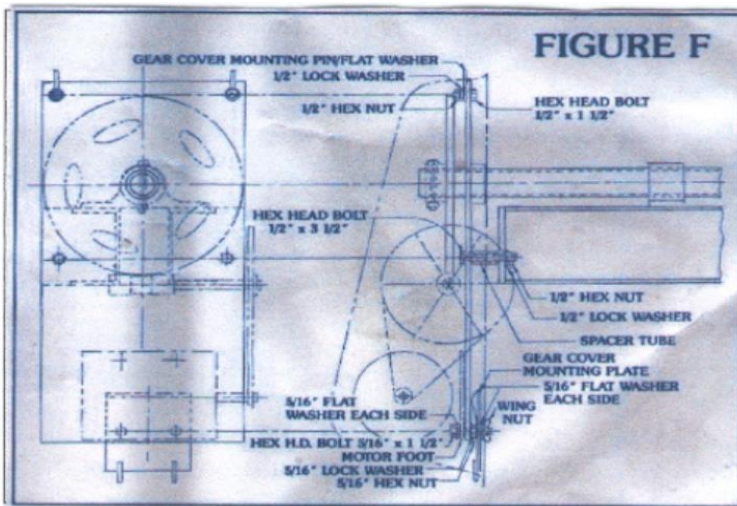
STEP ONE (1): SETTING TOP CARRIER BEAMS

1. Place the Lift on top of the Pilings. FIGURE (A & B)

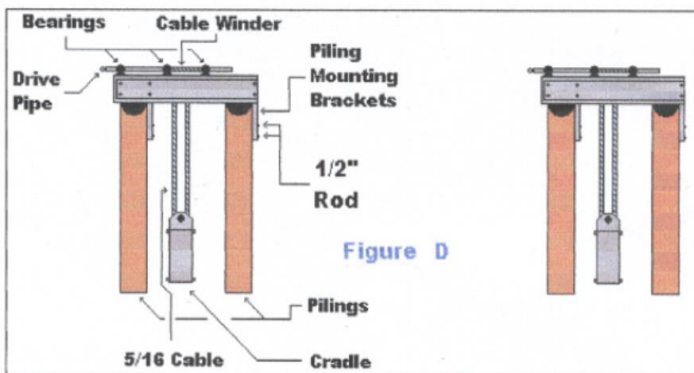
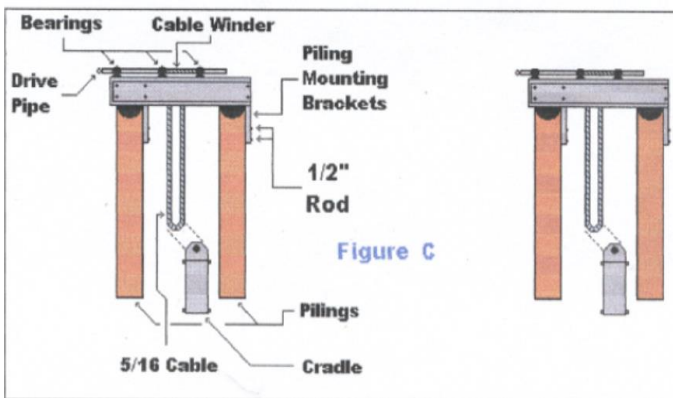


2. Insert precut 1/2" Rod through the piling bracket continuing through the piling. Place the flat washer, nut on both sides and tighten the Nuts.
3. Drop the cables and allow them to freely hang.

- Place the Motors on the Drive Pipe. (FIGURE F).



- To install the Cradles, confirm that the Cables are not twisted and place them into the ends of the Cradle (FIGURE C & D). Continue by setting the Pulley on top of the Cradle; insert the $\frac{3}{4}$ \"/>



6. After Cable is installed on all FOUR (4) ends, hoist the cradles up to and even level.
7. Attached the Bunk Brackets to the Cradles. (FIGURE G).
8. Install the Bunk Boards by drilling through predrilled holes in Bunk Brackets, then Bolt.
9. Adjust the Bunk Brackets and Boards, tighten. (FIGURE H).
10. Attached the Motor Covers.

HELPFUL NOTES:

1. Caution: Boat Lifts Are Not Made For Lifting Humans.
2. Place A Rubber Mat Between Top of Piling And Aluminum To Prevent Electrolysis.
3. Installer is responsible for determining if piling are square and adequate to carry the lift and the lifts payload.
4. Warning: Any modification to lift voids Warranty of Quality Aluminum Boat Lifts, INC.

Any questions regarding the installation of your lift our technical experts are happy to assist you @ our email: Qualityboatlift@gmail.com Attention: Technical Support. To quicken the process please add the pictures of the part or lift area you have questions about send to our staff also.

Thank you,

Quality Aluminum Boat Lifts, INC.

QABL