

QUALITY ALUMINUM BOAT LIFTS, INC.
INSTRUCTIONS

Four (4) Pole Top Mount Lift

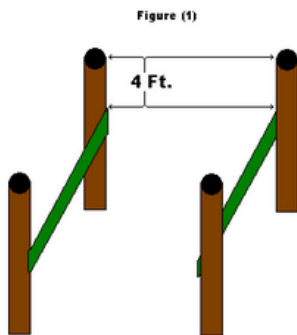
Quality Aluminum Boat Lifts, INC.

Installation Instructions: Four (4) Pole Top Mount Lift

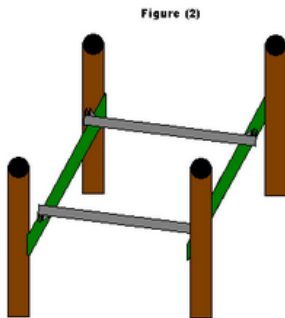
Thank you for your recent Boat Lift purchase, the installation of this lift is easier than others because of its lightweight aluminum design and simple operation. In the pages that follow we will take you step-by-step through the entire installation sequence, including the lifting of the boat. We encourage you to read this manual entirely before attempting the installation. Failure to do so could result in serious injury or death.

STEP ONE (1): SETTING OF TOP CARRIER BEAMS

1. Scaffold FOUR (4) Lift Pilings.
2. Level and Nail 2" x 8" x 16' Boards approximately 4" down from top of pilings. (FIGURE 1.)



3. Place TWO (2) Ladders across the 16' Boards completed in step 2, figure 1). (FIGURE 2)

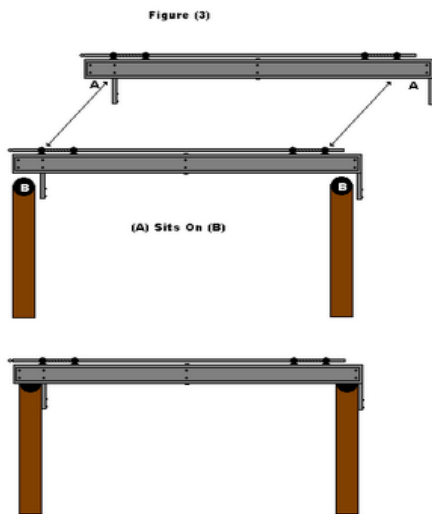


4. Place Scaffold Boards across the TWO (2) Ladder Rungs.
5. Measure the height of pilings off of the water. This measurement reading should be taken from the shortest piling.
6. Mark the remaining THREE (3) piling to the same height of the measurement completed in step 5. NOTE: STEPS 5 & 6 should be completed quickly but accurately as the Water Tides move frequently. The Water level also can be used instead of measuring if desired.

7. With a Chain Saw cut FOUR (4) pilings to the same height, being sure they are level with each other cut at the top of the pilings with a 10" Level. The Level Piling Tops are to assume Solid Seating of Top Carrier Beams.
8. Top Carrier Assemblies are now ready to be set at the top of the leveled Pilings. This will require TWO (2) or More Persons. Place the Drive Ends towards the Stern, and the Stickers facing away from each other. Place Carrier Beams on Top of the Pilings. (FIGURE 3).

NOTE: Confirm that the Carrier Beams are level and square. To confirm that the Beams are square check the diagonal dimensions.

The Lift must be within 3" of square to operate properly. If out of square more than 3" it may cause the lifter beams to drag against pilings.

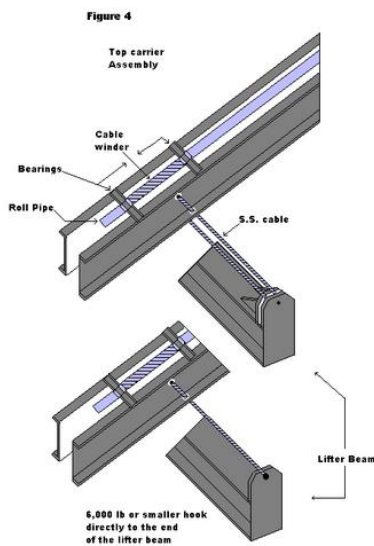


9. Drill 1/2" pilot hole through the piling and piling bracket. Insert the EIGHT (8) 1/2" x14" S.S. Rod; insert rod, secure and tighten.

NOTE: If not contracted for lift to be NINETY PERCENT (90%) complete then continue to step 2.

STEP TWO (2): ATTACHING ALUMINUM CRADLE BEAMS

1. Locate the FOUR (4) Stainless Steel Cables Pre-Cut with Swage and thimbles on ONE (1) end each of them that are located in the Rigging Kit.
2. Insert the taped end of the cable and thread through the return hole on top of the Top Carrier Beam.
3. Pull Cable through until the Swage makes contact with Carrier Beam. Allow the Cable to hang straight down into the water.
4. Bolt the thimble end of the cable using 1 1/2" x 1/2" Bolt, 1/2" Flat Washer, 5/8" Flat Washer, and Lock Nut.
5. Place Lifter Beams into position onto Ladder Scaffold at 90° Angle. To Carrier Beams.
6. Pull Cable through Lifter Beam, starting on inside and returning to the outside. Cable Travel (FIGURE 4).



7. Thread the taped end of cable up between Carrier Beams and Cable Winder. Push taped end of cable through hole in the cable winder until cable comes out of pipe.
8. Clamp Ends of cable with FOUR (4) Cable Clamps provided in kit. The Cable Winder Sleeve Bolt closest to the end of the Cable Winder must be removed temporarily for Cable Clamp Clearance.

*NOTE:

1. The total length of the cable should allow for three full wraps of cable on the cable winder before carrier beam is carrying any load.

2. In order to assure good drainage from boat deck during storage of boat on lift. Clamp the bow cables 4" shorter than the stern cables. This will give you 2" of pitch for deck drainage.
3. After tightening clamps on cable you must now pull able clamp back through pipe until you hear or feel clamp pull tightly against inside of pipe. At this point, you can push loose ends back into cable winder.

****NOTE: DO NOT USE 1/2" Spacer; Cables are a straight drop off of the cable winder. Clamp bow cables 2" shorter than the stern cables for deck drainage.**

STEP THREE (3): WINCH INSTALLATION

1. Slide the P.V.C adapter sleeve onto the drive shaft, place winch plate on shaft.
2. Fasten the winch to drive shaft with 1/2" x 3 1/2" bolt and locknut included with the winch plate.
3. Fasten the winch plate to the top carrier beams using the 1/2" x 1 1/2" bolts, spacer P.V.C., and hardware. (FIGURE 5)

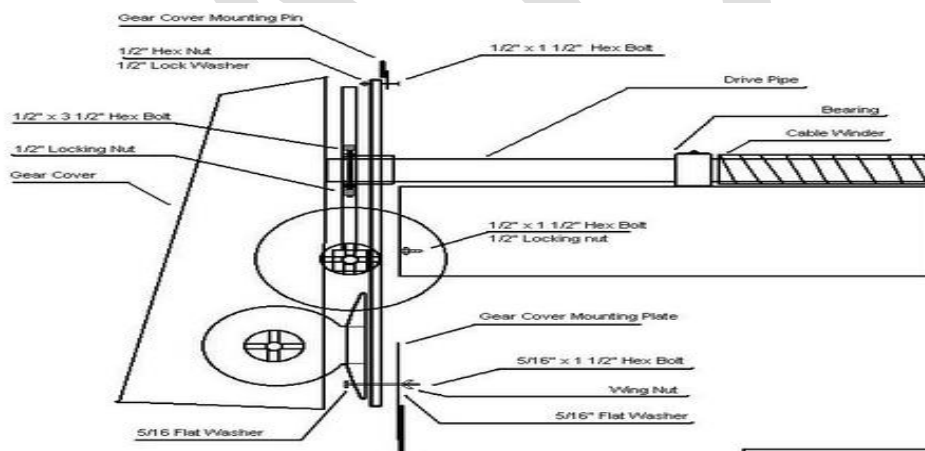
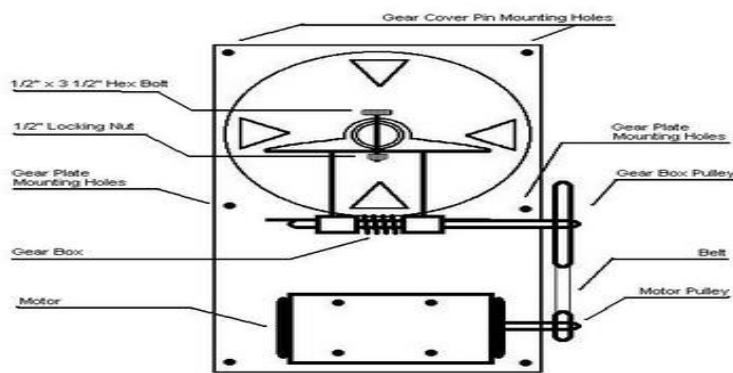


Figure 5



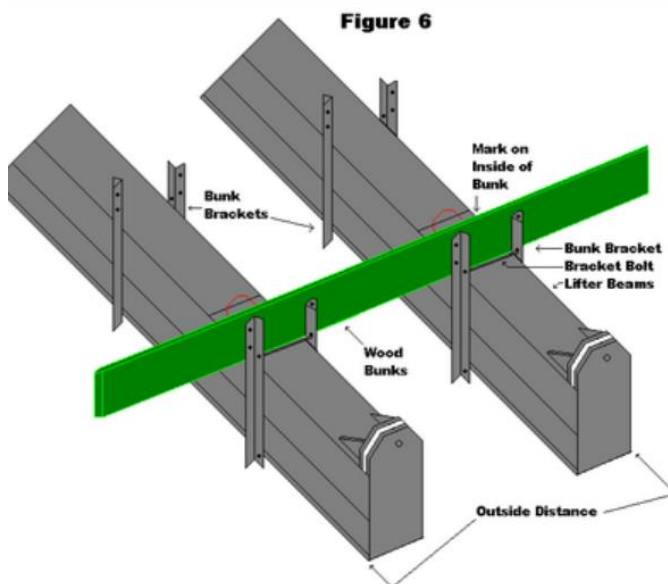
4. Attach the motor to the winch plate using the hardware included with the winch for the TWO (2) Top Mounting Holes.
5. The Two (2) Lower mounting holes use 5/16" x 1 1/2" Bolt, TWO (2) Flat Washers, ONE (1) Lock Washer and ONE (1) 1/2" Nut. (FIGURE 5)
6. Install Gear Cover Mounting Plate together with TWO (2) Flat Washers and ONE (1) Wing Nut.
7. Install Pulleys and V-Belt; Tension Belt to obtain 1/4" free play.
8. Tighten motor bolts.

STEP FOUR (4): ATTACHMENT OF WOOD BUNKS TO CRADLE BEAMS

1. With wiring complete, start winding cables on cable winder (FIGURE 4).

NOTE: It is important to keep tension on lifter cable until weight of cradle beam keeps tension on cable for you. Allowing the beam to be placed in the water will tension the cables if the water is deep enough doing this will allow the cables to wind neat and tight.

2. Continue to wind the cables until cradle beams are at desired height for attaching bunk brackets and bunks.
3. Attach the Aluminum Angle Brackets Eight (8) FOUR [4 SETS], to the Cradle Beam with TWO (2) long Stainless Steel Bolts. ONE (1) Bolt sits on top of Cradle Beam, the other Bolt rides under the Cradle Beam. (FIGURE 6)



NOTE: Confirm Cradle Beams are hanging freely and cable windings on cable winder are neat, tight to each other on the cable winder itself. Confirm Beams are hanging freely, measure outside distance of cradle beams flanges (FIGURE 6) and transfer to inside bunk allowing for equal overhang past the beams. Confirm that the Cradle Beams do not shift when doing this operation. With Bunk Brackets attached to the Cradle Beams, lay Bunk in position with mark at edge of Beam Flange. Drill FOUR (4) 3/8" Holes and install Bunk Bolts. Repeat this procedure for opposite end of bunk.

4. Attach Wood Bunks to the Bunk Brackets using proper length Nuts, Bolts and Lock Washers supplied. (FIGURE 6)
5. Guide Post Brackets; Slide Galvanized weight pipes inside the Guide Post Bracket. The 2" White P.V.C. Pipes slide over outside of Guide Post Bracket and Weight Pipe.
6. Attach Cobers to lift by fitting the cover over mounting pins and tightening the Wing Nuts. Lubricate Drive Plate and Motor Housings with a Rust Preventative Lubricating such as Corrosion Block.

STEP FOUR (4): FITTING BOAT TO LIFT

1. Bunk Adjustment: Loosen the EIGHT (8) Bunk Brackets (FIGURE 7). Mark center line port to starboard on both Cradle Beams. The Bunk spread varies; for boats up to 9,000lbs. (26' to 28' range). Spread Bunks 32" apart; 16' from center lines on Cradle Beams.
2. Adjust guide post brackets (FIGURE 7) to beam of boat and tighten. Use same centerline on cradle beam as before.
3. Place Boat into position for lifting. Guide poles will keep boat centered over Bunks. There will be no More than Three (3) Feet of Boat hanging beyond the Stern Lift Pilings. The Center of Boat Balance as close as possible to center of lift. (Bow to Stern). This will evenly distribute the Load over the TWO (2) Cradle Beams. The Bow and Stern Cable Tension will be equal with a balanced load.
4. Lifting of the Boat Adjustment. Start lifting the boat, if the boat starts lifting as you picked it up you will have to readjust the pickup bunks and lift the boat again. If the boat does not lift, lift boat do a visual inspection of Hull and Bunk contact. The following are necessary for proper bunting. The Keel of the boat should NOT be touching the Cradle Beams, if making contact with the Cradle Beam(s) you will need to move the Wood Bunks closer together.
5. Confirm the Pickup Bunks are not resting against any thru-hull accessories; water, intakes or transducers, etc.
6. Confirm that Cradle Beams and boat is level.

HELPFUL NOTES:

1. We suggest to place a reference mark on a Guide Pole to indicate that the Lift Cradle is deep enough for the Boat Hull to clear the Cradle. This will assure clearance entering and leaving the Cradle as the tide changes.
2. Shallow Water Installations; Reference mark should be placed on a cable to indicate that the cradle has contacted bottom. Turning the lift off at this point will prevent the cable winds from being tangled.
3. Caution: Boat Lifts Are Not Made For Lifting Humans.
4. Place A Rubber Mat Between Top of Piling And Aluminum To Prevent Electrolysis.
5. Installer is responsible for determining if piling are square and adequate to carry the lift and the lifts payload.
6. Warning: Any modification to lift voids Warranty of Quality Aluminum Boat Lifts, INC.

Any questions regarding the installation of your lift our technical experts are happy to assist you @ our email: Qualityboatlift@gmail.com Attention: Technical Support. To quicken the process please add the pictures of the part or lift area you have questions about send to our staff also.

Thank you,

Quality Aluminum Boat Lifts, INC.